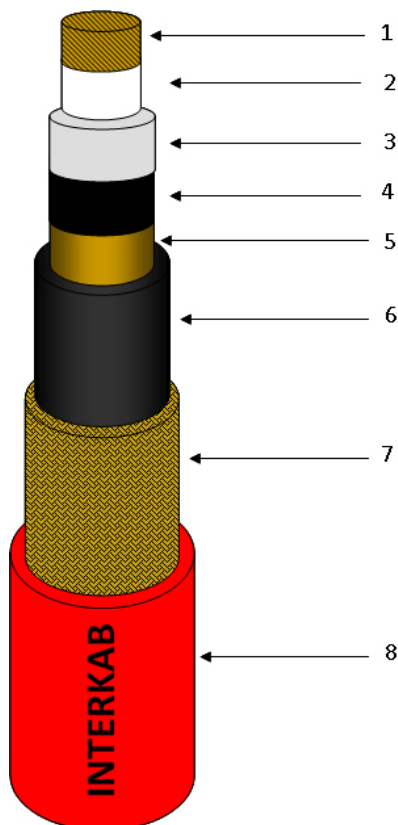


8.7/15 kV Fire Resistant Medium Voltage Power Cables to NEK 606 Specification

BFOU - Power/Control Cables –
Single Core, Medium Power, armoured cables



Applicable Standards

- NEK 606
- IEC 60092-354
- IEC 60331
- IEC 60332 part 3 (Category A)
- IEC 60332-1
- IEC 60754-1
- IEC 61034
- Stranded class 2 or tinned annealed copper conductors to IEC60228

Application

Fixed installation for medium voltage (MV) power in both EX and safe areas, general purposes. For installation in areas exposed to MUD and drilling/cleaning fluids. Meets the MUD resistance requirement in NEK TS 606:2009

Conductor Identification

One core: Black

New harmonised core colours or project specified colours can be supplied upon special request.

Note: picture is for illustration purposes only

Construction	Specifications
(1) Conductor:	Tinned, annealed stranded compacted copper conductor to IEC60228 Class 2 (Flexible Class 5 conductors available upon request)
(2) Fire Protection:	Mica Glass Tape
(3) Insulation:	EP-Rubber
(4) Insulation Screen:	Semi-conductive tape or extruded semi-conductive compound.
(5) Metallic Screen:	Tinned copper wire braid (If necessary, suitable tape may be applied on the braid)
(6) Bedding:	Flame retardant halogen free compound. PET Tape
(7) Armour:	Tinned copper wire braid. PET Tape
(8) Outer Sheath:	SHF2 thermoset compound halogen-free & MUD resistant low temperature (-40 Deg C) Red Outer Sheath Colour

8.7/15 kV
Fire Resistant

Medium Voltage Power Cables to NEK 606 Specification

BFOU Single Core Armoured Cables

No. of Cores	Conductor			Thickness of Insulation	Thickness of inner covering	Nominal dia. Inner covering	Dia. Of wire for armour	Thickness of sheath	Overall diameter		Cable Weight
	Nominal Area	Strand	Dia.						Nominal	Tolerance	
No.	mm ²	NO./ mm	mm	mm	mm	mm	mm	mm	mm	±mm	kg/km
1	25	7 / 2.14	6.60	4.5	1.0	25.0	0.3	1.9	30.9	1.7	1,520
1	35	7 / 2.52	7.90	4.5	1.0	26.1	0.3	1.9	32.0	1.8	1,700
1	50	19 / 1.78	9.10	4.5	1.2	27.9	0.3	2.0	34.0	1.9	1,980
1	70	19 / 2.14	11.00	4.5	1.2	29.5	0.3	2.0	35.6	1.9	2,290
1	95	19 / 2.52	12.90	4.5	1.2	31.3	0.4	2.1	38.1	2.0	2,820
1	120	37 / 2.03	14.50	4.5	1.2	33.0	0.4	2.2	40.0	2.1	3,240
1	150	37 / 2.25	16.20	4.5	1.2	34.4	0.4	2.3	41.6	2.2	3,640
1	185	37 / 2.52	18.00	4.5	1.2	36.3	0.4	2.3	43.5	2.2	4,170
1	240	61 / 2.25	20.60	4.5	1.4	39.5	0.4	2.5	47.1	2.4	5,130
1	300	61 / 2.52	23.10	4.5	1.4	41.9	0.4	2.6	49.7	2.5	6,000