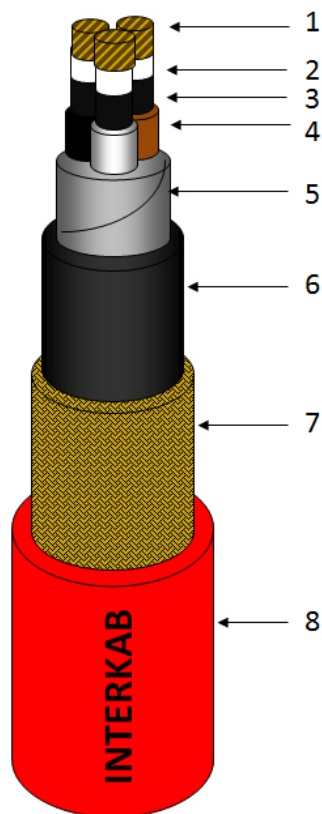


3.6/6 kV
Fire Resistant

Medium Voltage Power Cables to NEK 606 Specification

BFOU - Power/Control Cables –
Single and Multicore, Medium
Power, armoured cables



Applicable Standards

NEK 606 / IEC 60092-3
IEC 60092-351
IEC 60331 part 3 (Category A)
IEC 60092-359
Stranded class 2 or tinned annealed copper conductors to IEC60228

Application

This range of cables is designed for use in fixed wiring on ships and offshore platforms and drilling rigs, especially used where life may be endangered by smoke and noxious fumes, and where sensitive equipment may be damaged by acid forming gases

Conductor Identification

One core: Black
Two cores: Blue – Brown
Two cores + earth Blue – Brown – Yellow/green
Three cores: Brown - Black – Grey
Three cores + earth Brown - Black – Grey – Yellow/green
Four cores: Blue - Brown - Black- Grey
Four cores + earth Blue - Brown - Black- Grey – Yellow/green
Five cores Blue - Brown - Black- Grey - Black
Above 5-cores : Black numbers on white base.

Note: picture is for illustration purposes only

Construction	Specifications
(1) Conductor:	Tinned Stranded Compacted Copper Conductor to IEC60228 class 2
(2) Fire Protection:	Mica Glass Tape
(3) Semi-Conductor:	Halogen-free EPR compound
(4) Insulation:	Halogen-free HEPR compund
(5) Screen:	Tinned copper wire braid according to NVE FEA-M 1238.5
(6) Bedding:	Halogen-free thermoset compound type SHF2
(7) Amour:	Tinned copper wire braid
(8) Outer Sheath:	SHF2 thermoset compound halogen-free & MUD resistant low temperature (-40 Deg C)

3.6/6 kV
Fire Resistant

Medium Voltage Power Cables to NEK 606 Specification

BFOU Single/Multicore Armoured Cables - Table 1/2

Cable	1 x 25	1 x 35	1 x 50	1 x 70	1 x 95	1 x 120	1 x 150	1 x 185	1 x 240
Insulation Thickness mm	3	3	3	3	3	3	3	3	3
Diameter over Inner Sheath (min/max) mm	17.4/19.4	18.5/20.5	19.8/21.8	21.5/23.7	23.3/25.7	24.8/27.4	26.7/29.5	28.5/31.5	31.0/34.2
Overall Diameter (min/max) mm	22.4/25.4	23.2/26.2	24.7/27.9	26.7/29.9	28.5/31.9	30.2/33.8	32.3/36.1	34.9/38.9	37.6/41.8
Gland Size	B	C	C	C	C	C2	C2	C2	D
Weight kg/km	1010	1140	1340	1630	1970	2290	2670	3240	3930
DC Resistance max @ 20°C - Ω/km	0.734	0.529	0.391	0.27	0.195	0.154	0.126	0.1	0.0762
Sheath Colour	Red	Red	Red	Red	Red	Red	Red	Red	Red

BFOU Single/Multicore Armoured Cables - Table 2/2

Cable	1 x 300	3 x 25	3 x 35	3 x 50	3 x 70	3 x 95	3 x 120	3 x 150	3 x 185
Insulation Thickness mm	3	3	3	3	3	3	3	3	3
Diameter over Inner Sheath (min/max) mm	33.7/37.3	35.6/39.4	38.3/42.3	40.9/45.3	44.6/49.4	48.9/54.1	52.2/57.6	55.5/61.3	59.3/65.5
Overall Diameter (min/max) mm	40.6/45.0	42.7/47.3	45.7/50.5	48.6/53.6	52.7/58.1	57.3/63.1	60.9/67.1	64.6/71.0	68.8/75.6
Gland Size	D	D	D	E	E	E	F	F	F
Weight kg/km	4750	3390	3980	4630	5670	6950	8090	9310	10890
DC Resistance max @ 20°C - Ω/km	0.0607	0.734	0.529	0.391	0.27	0.195	0.154	0.126	0.1
Sheath Colour	Red	Red	Red	Red	Red	Red	Red	Red	Red